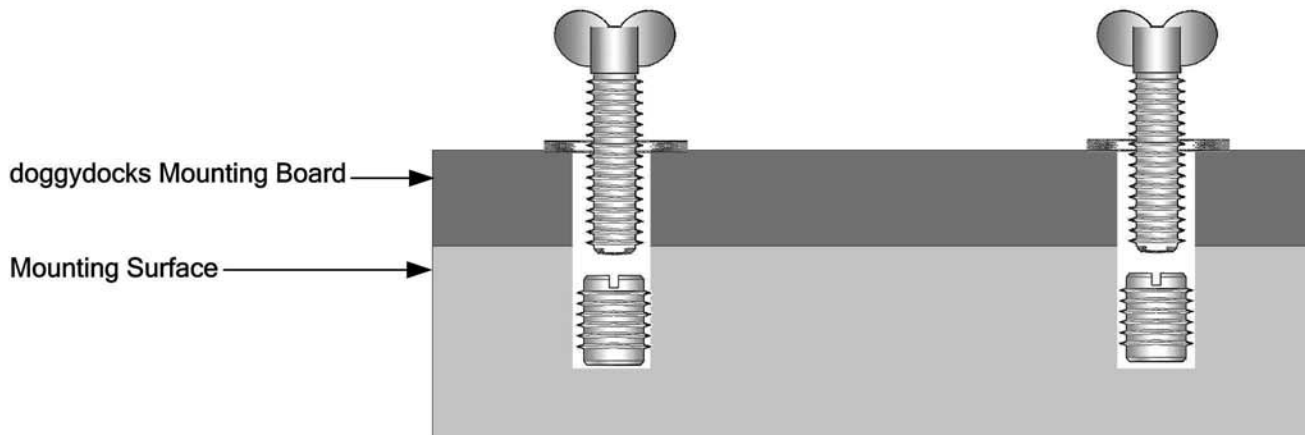
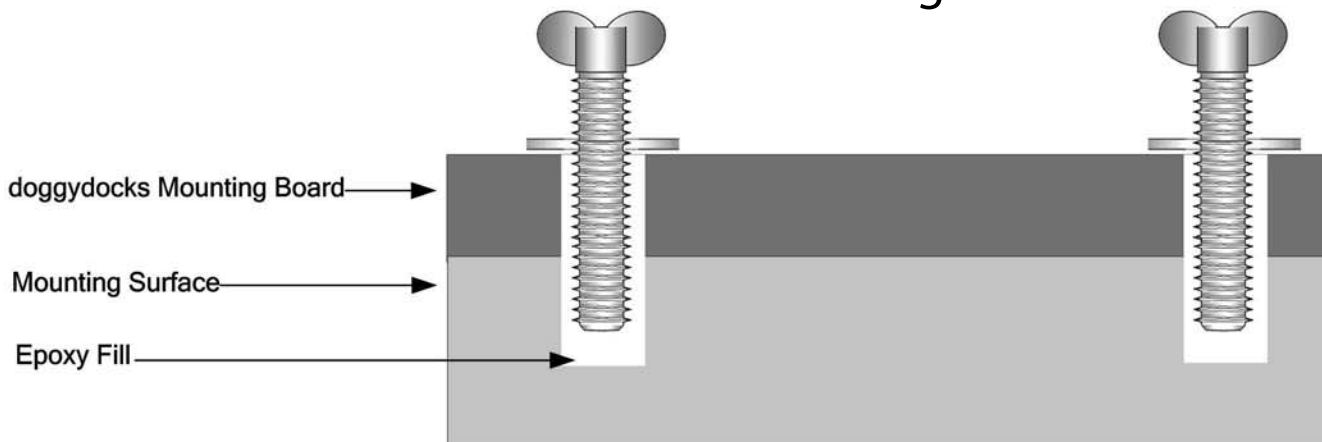


Wood and Composite Surfaces - Universal Mounting Kit



- Drill (2) holes into the doggydocks mounting board ,making sure you clear the hinge underneath.
- Place the doggydocks on to the mounting surface making sure it is lined up with the edge of the platform.
- Mark the platform below through the holes drilled in doggydocks
- Drill 3/8"-1/2" hole in mounting surface
- Screw insert into drilled holes
- Place a washer and thumbscrew into the doggydocks mounting surface
- Tighten down screws

Concrete Surfaces - Concrete Mounting Kit



- Drill (2) holes into the doggydocks cleat board making sure you clear the hinge underneath.
- Place the doggydocks into the mater making sure it is lined up with the edge of the dock or pool.
- Mark the concrete below through the holes on the doggydocks
- Drill 3/8"-1/2" hole in concrete using a concrete drill bit
- Fill hole with 2-part epoxy adhesive
- Tap metal insert with threads so that it is flush with the concrete.
- Allow epoxy adequate time to set normally 12 hours.
- Place a washer and thumbscrew into the hole in the cleat board in line with holes in concrete
- Tighten down screws